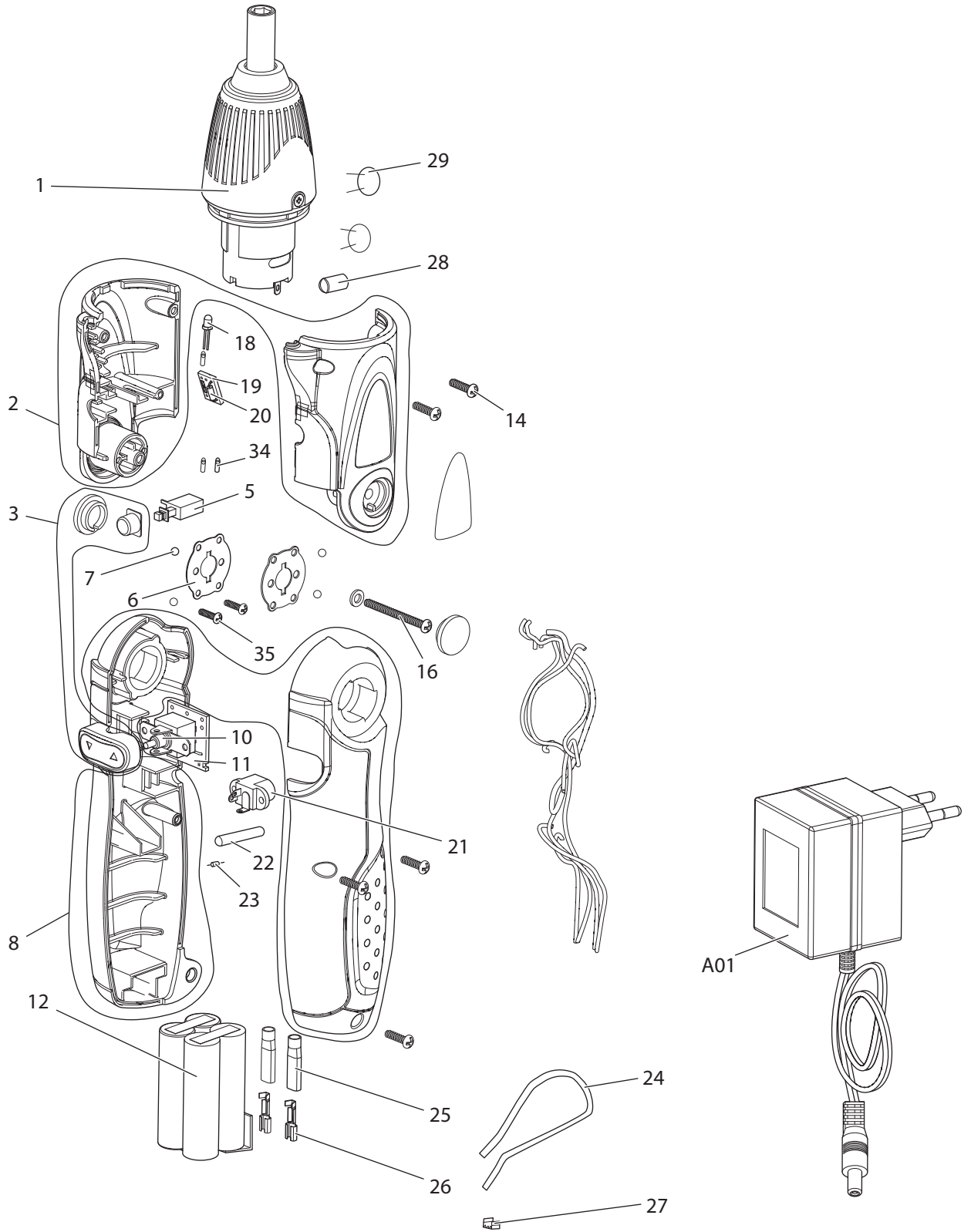




11 - 2010  
6723DW  
4.8V SCREW DRIVER



Item No	Type	Ref	Re/Part No	Description	Qty	Unit
1			TP00000095	MOTOR ASSY	1	PC.
		INC.	TP00000072	SPUR GEAR 3G005	6	PC.
2			TP00000096	L/R HOUSING SET	1	SET
3			TP00000097	BUTTON COVER SET	1	SET
5			TL00000005	SWITCH	1	PC.
6			TL00000006	SPRING CLIP	2	PC.
7			TL00000007	STEEL BALL	4	PC.
8			TP00000098	L/R HANDLE	1	SET
10			TP00000099	SWITCH ON/OFF	1	PC.
11			TL00000011	PC BOARD	1	PC.
12	1		TL00000012	BATTERY	4	PC.
	2		TP00000164	BATTERY 4PC/SET	1	SET
14			TL00000014	SCREW 3.0X10 MM	5	PC.
16			TL00000016	SCREW 3.5X26MM	1	PC.
18			TP00000075	LED LIGHT	1	PC.
19			TL00000018	PC BOARD	1	PC.
20			TL00000019	RESISTOR	1	PC.
21			TL00000020	DC JACK	1	PC.
22			TL00000028	SHRINK PIPE	1	PC.
23			TL00000029	DIODE IN 4001	1	PC.
24			TL00000021	WRIST STRAP	1	PC.
25			TL00000030	INSULATION	2	PC.
26			TL00000031	FEMALE TERMINAL	2	PC.
27			TL00000022	STRING CLIP	1	PC.
28			TL00000026	FERRITE BEAD	1	PC.
29			TL00000027	CERAMIC CAPACITOR	2	PC.
34			TP00000100	SHRINK PIPE 2X10	2	PC.
35			TP00000101	SCREW 2.6X8	4	PC.
100	Opt.		TP00000172	SWITCH ASSY (AS-0285SW01-R) - See details on next page	1	PC.
		INC.		Item No. 5,10,11,18-23,25,26,28,29,34		
		INC.	----	SWITCH BOTTON	1	PC.
		INC.	----	LEAD WIRE	1	SET

#### **ACCESSORIES**

- See catalogue or visit [www.makita.ca](http://www.makita.ca) for more accessories information -

A01	1		TL00000024	CHARGER	1	PC.
	2		TP00000188	CHARGER	1	PC.
A02			----	BIT SET 80PC/SET	1	SET
A03			----	PLASTIC CARRYING CASE	1	PC.

